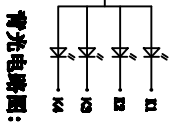
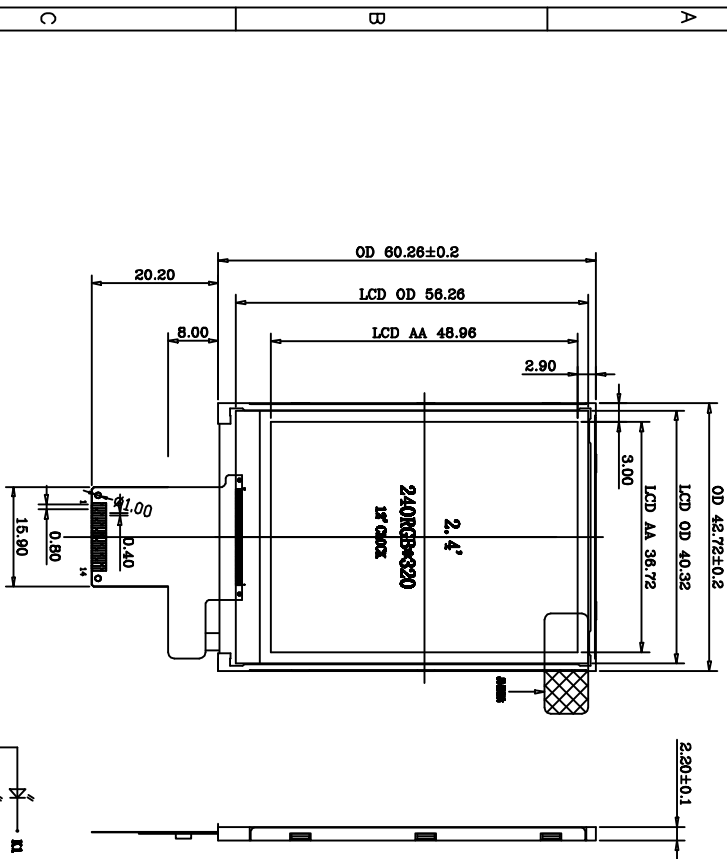
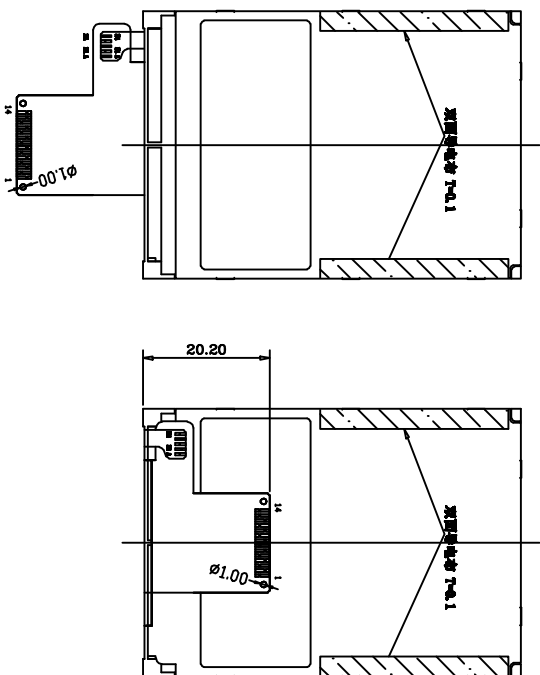


REV	DESCRIPTION	DATE
1.0	First release	20141028



背光电路图:



No.	PIN NAME
1	GND
2	RESET
3	SEL
4	D/CX
5	CSX
6	SDI
7	SDD
8	GND
9	VCC
10	LD0A
11	LD0-F1
12	LD0-F2
13	LD0-F3
14	LD0-F4

NOTES:

- 1.DISPLAY TYPE: TFT
- 2.VIEWING DIRECTION: 12:00
- 3.LCD DRIVE IC: ST7789V
- 4.POLARIZER MODE: TRANSMISSIVE/POSITIVE
- 5.VCC:2.8V
- 6.BACKLIGHT:4-CHIP WHITE LED PARALLEL
- 7.OPERATING TEMP: -20°C~+70°C
- 8.STORAGE TEMP: -30°C~+80°C
- 9.UNMARKER TOLERANCE: ±0.20
- 10

REVISION RECORD

REVISION RECORD	DATE	TITLE: ASM OUTLINE	P/N :
		FILE NAME : TM024HDH26	Ver. : V02
		DRAWN BY : LINJIANFU	DATE : 20161020
		CHECKED BY : LIANGYUQU	DATE : 20161020
		APPROVED BY :	DATE :

深圳市尚视界科技有限公司

SCALE : N.T.S.

UNIT : mm

PROJ(3) :

SHEET : 1/1