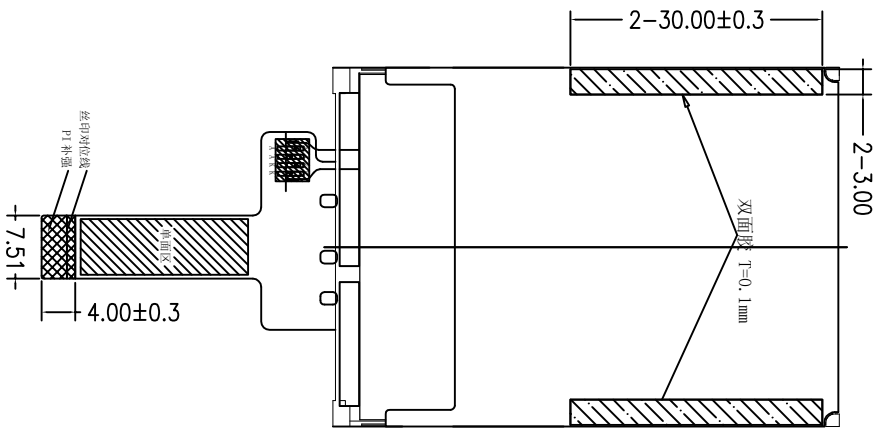
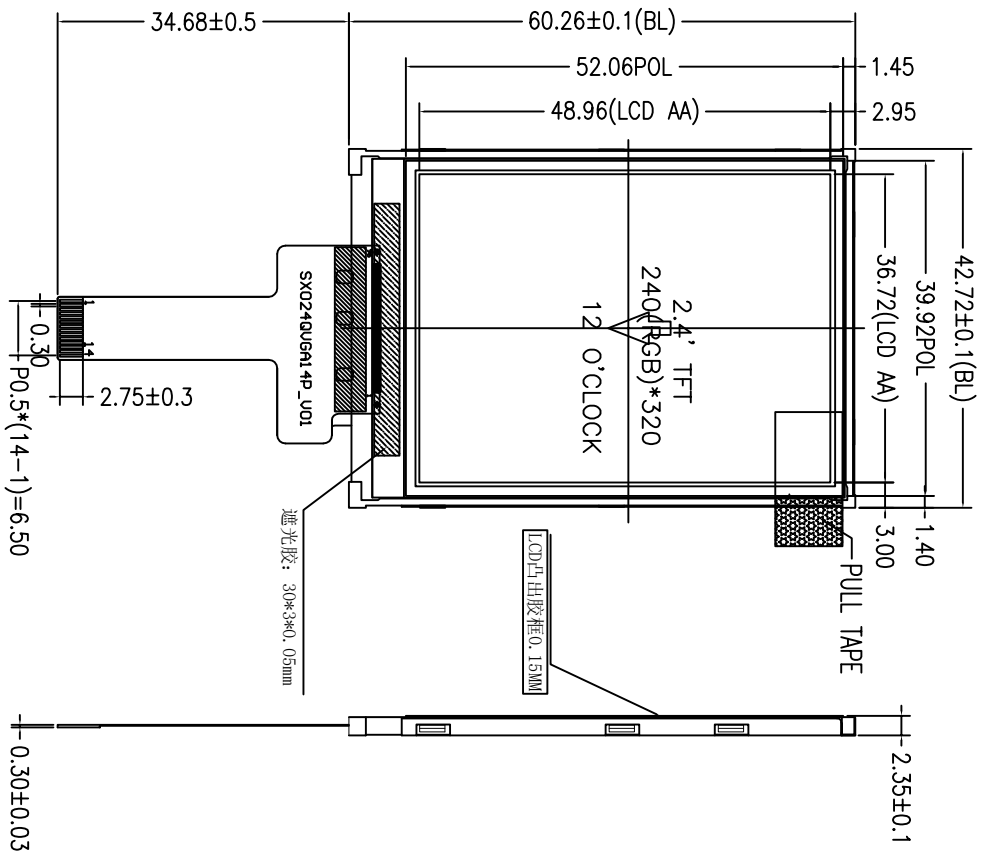
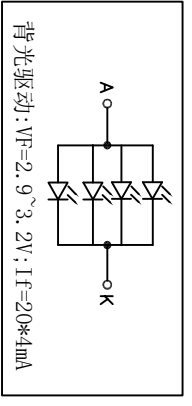


| | |
|---------------------|--|
| Customer's Approval | |
| Customer | |
| Date | |



| No. | PIN NAME |
|-----|----------|
| 1 | GND |
| 2 | RESET |
| 3 | SCL |
| 4 | D/CX |
| 5 | CSX |
| 6 | SDI |
| 7 | SDO |
| 8 | GND |
| 9 | VCC |
| 10 | LEDA |
| 11 | LED-K1 |
| 12 | LED-K2 |
| 13 | LED-K3 |
| 14 | LED-K4 |

- NOTES: Main LCD: TFT TRANSMISSIVE 12:00
 1.DISPLAY TYPE: NORMAL WHITE
 2. OPERATING TEMP: -20°C~70°C
 3. STORAGE TEMP : -30°C~80°C
 4. MAIN LCD DRIVER: ST7789V
 5. BACKLIGHT: 4CHIP-WHITE LED
 6. ROHS COMPLIANCY
 7. GENERAL TOLERANCE:±0.2



| REVISED RECORD | | | | 深圳市上线电子有限公司 | | | |
|----------------|--|--|--|-------------|------------------|------|-------------|
| A | | | | UNIT | SCALE | PAGE | DRAWN BY |
| B | | | | mm | 1:1 | 1/1 | CHECKED BY |
| C | | | | PRODUCT NO. | SX024QVGA14P_V01 | | APPROVED BY |
| D | | | | | | | ORG DATE |
| E | | | | | | | |