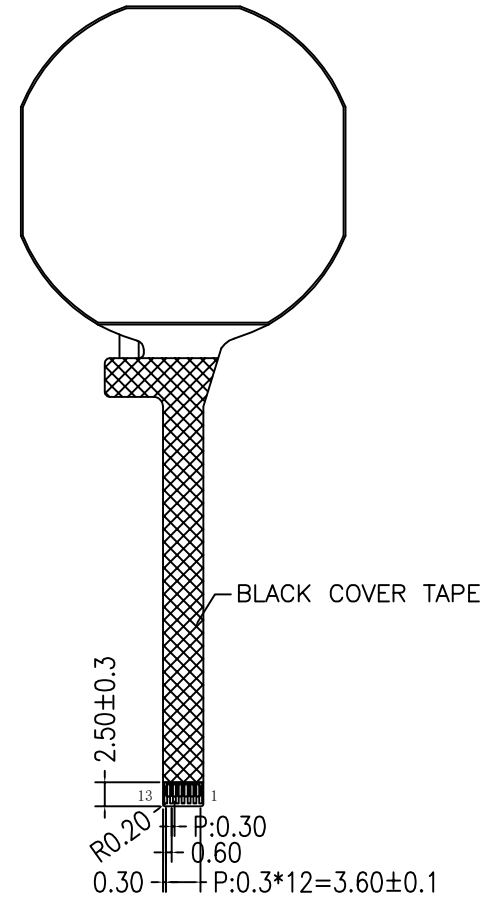
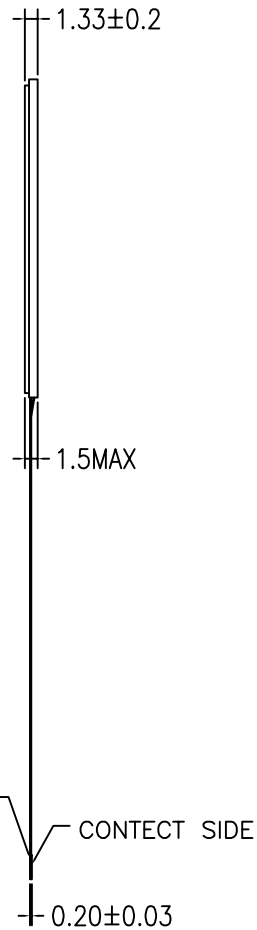
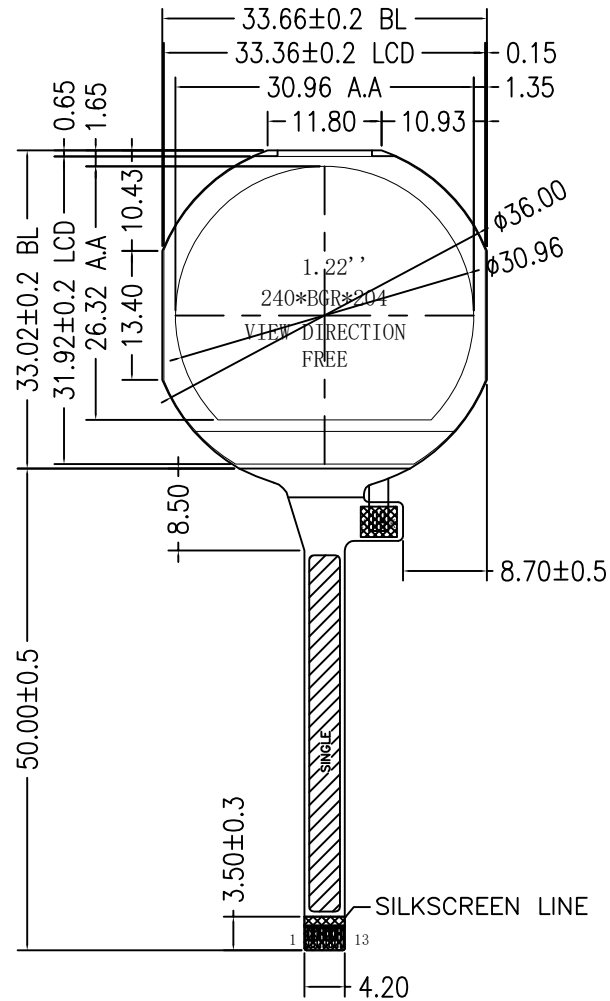


**Customer's Approval**

Customer

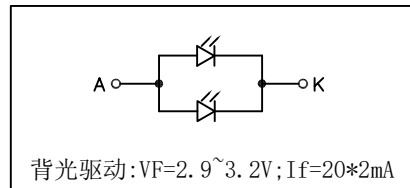
Date



1	LEDK
2	LEDK
3	LEDA
4	GND
5	FMARK
6	SDA
7	RS
8	SCL
9	CS
10	RESET
11	IOVCC
12	VCC28
13	GND

NOTES: Main LCD: TFT TRANSMISSIVE FREE

1. DISPLAY TYPE: NORMAL BLACK
2. OPERATING TEMP: -20° C~70° C
3. STORAGE TEMP : -30° C~80° C
4. MAIN LCD DRIVER: ST7789V
5. BACKLIGHT: 2CHIP-WHITE LED
6. ROHS COMPLIANCY
7. GENERAL TOLERANCE: ±0.2



REVISED RECORD		深圳市上线电子有限公司				
A			UNIT	SCALE	PAGE	DRAWN BY
B			mm	1:1	1/1	CHECKED BY
C			APPROVED BY			
D			PRODUCT NO:	SX012-QVGA4-13P-01-V01		
E			ORG DATE			