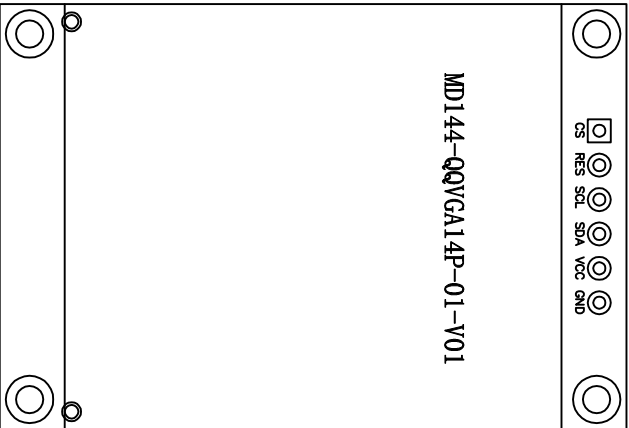
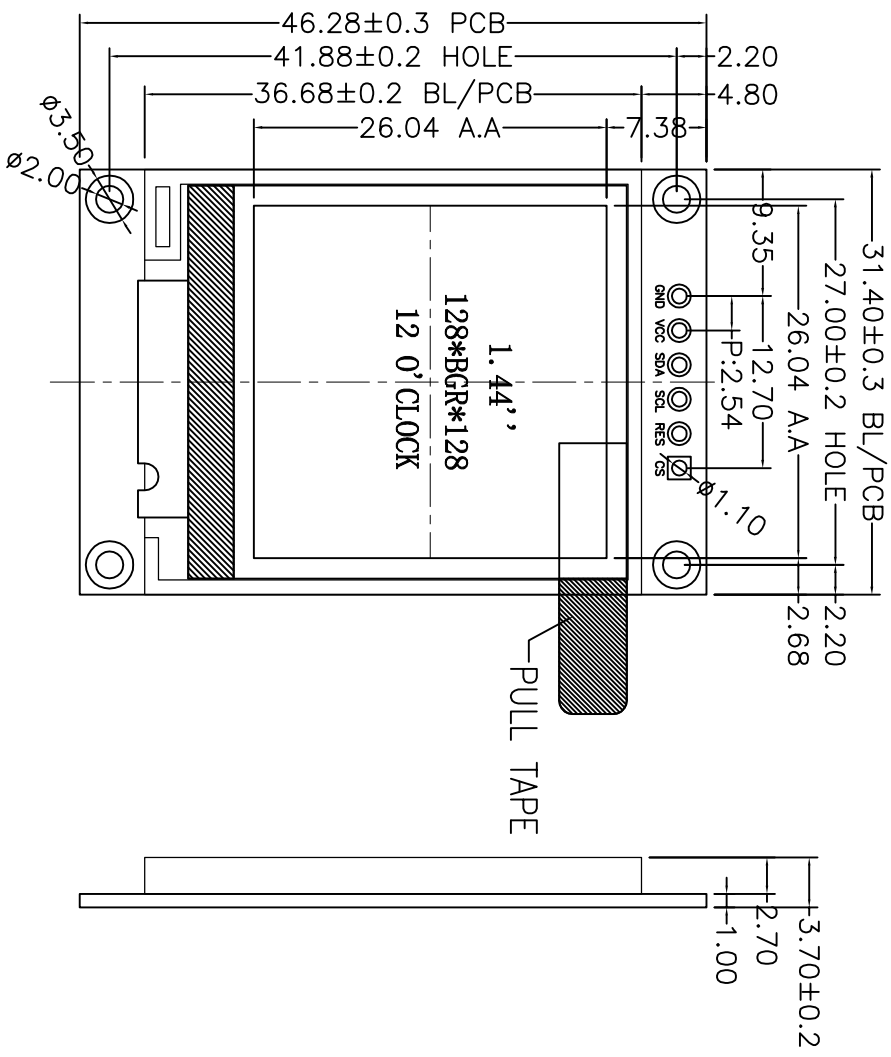
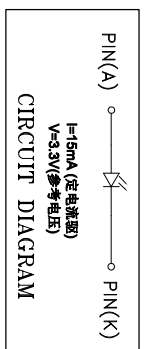


Customer's Approval	
Customer	
Date	



No.	PIN	NAME
1	CS	
2	RES	
3	SCL	
4	SDA	
5	VCC	
6	GND	

- NOTES: Main LCD: TFT TRANSMISSIVE 6:00
 1.DISPLAY TYPE:
 2. OPERATING TEMP: -20°C~70°C
 3. STORAGE TEMP: -30°C~80°C
 4. MAIN LCD DRIVER: IL19163C
 5. BACKLIGHT: ICHP-WHITE LED
 6. ROHS COMPLIANCY
 7. GENERAL TOLERANCE:±0.2



REVISED RECORD	
A	
B	
C	
D	
E	

深圳市尚视界科技有限公司			
PRODUCT NO:	MD144-Q0VGA14P-01-V01	UNIT	mm
SCALE	1:1	PAGE	1/1
DRAWN BY		CHECKED BY	
APPROVED BY		ORG DATE	
QIAO			