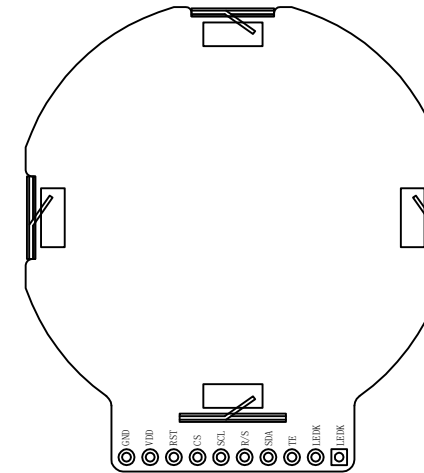
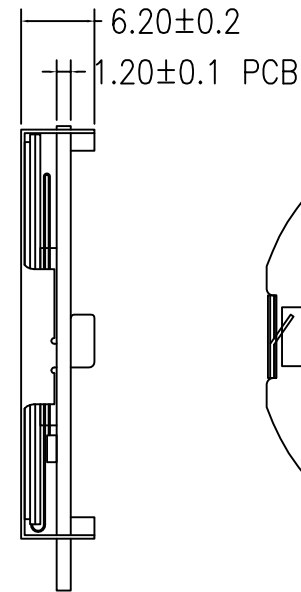
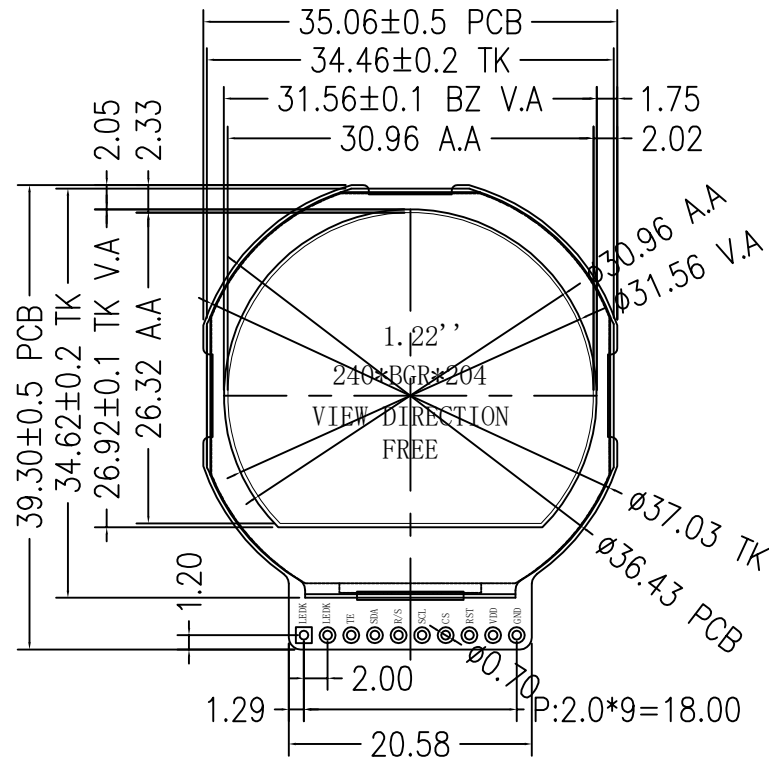


Customer's Approval

Customer

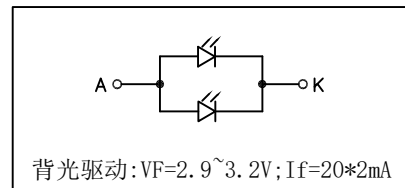
Date



1	LEDK
2	LEDA
3	TE
4	SDA
5	RS
6	SCL
7	CS
8	RESET
9	VDD
10	GND

NOTES: Main LCD: TFT TRANSMISSIVE FREE

1. DISPLAY TYPE: NORMAL BLACK
2. OPERATING TEMP: -20° C~70° C
3. STORAGE TEMP : -30° C~80° C
4. MAIN LCD DRIVER: ST7789V
5. BACKLIGHT: 2CHIP-WHITE LED
6. ROHS COMPLIANCY
7. GENERAL TOLERANCE: ±0.2



REVISED RECORD

REVISED RECORD		深圳市上线电子有限公司				
A			UNIT	SCALE	PAGE	DRAWN BY
B			mm	1:1	1/1	CHECKED BY
C			PRODUCT NO:		MD012-QVGA4-10P-01-V01	APPROVED BY
D					ORG DATE	
E						